

LELY DISCOVERY

Mobile barn cleaner



Cutting edge barn hygiene technology



www.lely.com

innovators in agriculture

The Lely Discovery mobile barn cleaner: the most flexible and complete solution for cow housing hygiene

By offering the Discovery mobile barn cleaner, Lely provides an intelligent solution, which meets the growing need of dairy farmers for optimum hygiene in their cow housings. The mobile barn cleaner features robot technology and is used with flexibility and thoroughness to ensure that the cow housing floor is kept as clean as possible to guarantee the walking comfort of the cows as well as hygiene. The Discovery mobile barn cleaner moves across the barn without any noticeable disturbing to the cows. There is no need for additional facilities or modifications. All in all, the Discovery is an easy-to-install and animal-friendly system, which only requires a bare minimum of maintenance.





E-link remote control.



Charging station.



Battery charging indicator.

Cow housing hygiene and financial results

The well-being of milking cows, their health and milk quality are major factors for the financial results of your dairy business. You ensure, in addition to providing sufficient water and high quality feed, an optimum every day climate for your cows. A quick disposal of manure may help greatly in achieving this objective. Moisture and manure on slatted barn floors are quite often a major source of infection for serious claw ailments. Cows that are suffering from a claw ailment produce less milk, encounter problems when walking and are not readily identified when in heat. In addition, moist accumulations of manure on slatted floors, especially when situated near the cubicles, are sources of contamination that affect milk quality directly. Clean udders and cubicles are primary conditions to avoid problems in terms of milk quality.

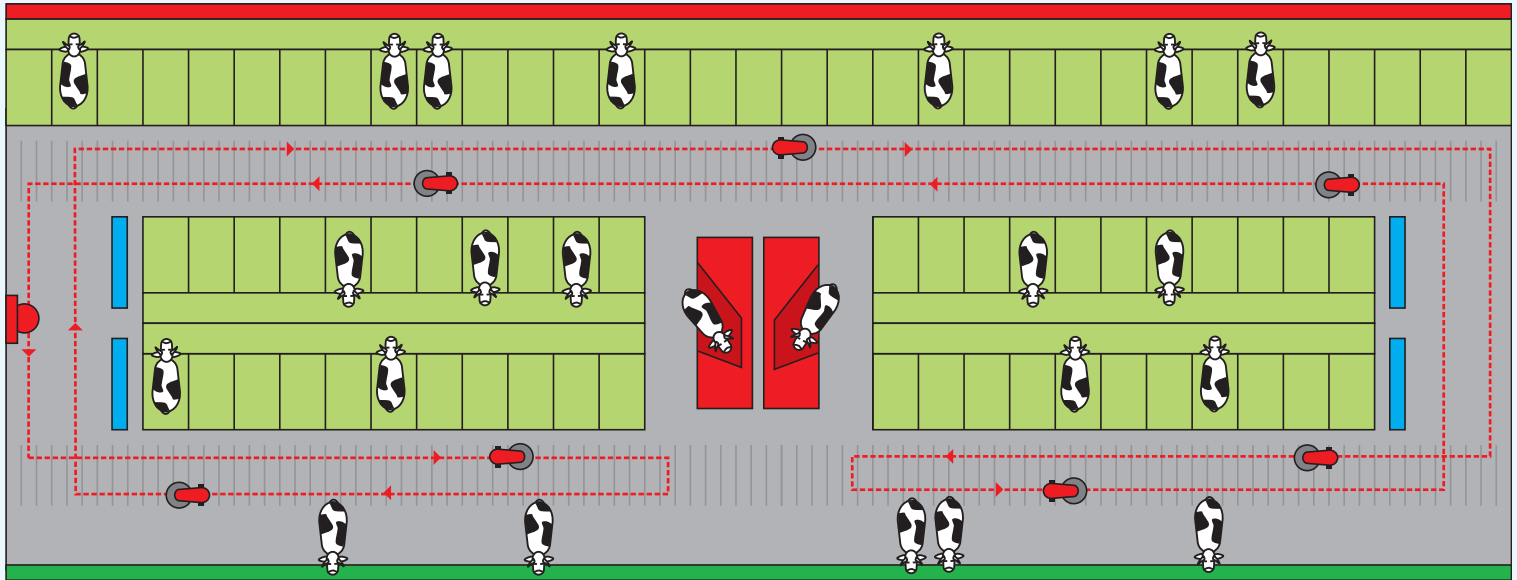
Avoiding contamination is of primary interest. One of the ways to avoid contamination of cows and cubicles is frequent cleaning of the manure alley. Manual cleaning is an intensive and none too pleasant job, which keeps the floor dry and clean for just a short time. Conventional systems are an obstacle, they require extensive maintenance and do not clean the passage ways.

By using the Lely Discovery mobile barn cleaner you clean the manure alleys in your cow housing as often as you please, so that you create a floor for your cows that is constantly clean and dry. The results of the use of a Discovery are immediately noticeable: less manure in the cubicles, cleaner claws, tail as well as udders, which results in peace and quiet in the herd.

A justified investment

Good animal health is essential for overall cow performances and optimum cow housing hygiene is an absolute must for maintaining good animal health. From this point of view, the Discovery mobile barn cleaner is a valuable and economically justified investment.





Routing of the Lely Discovery.

How does the Lely Discovery mobile barn cleaner work?

The Discovery mobile barn cleaner is a battery-driven vehicle, which cleans the floors of a barn to ensure that the cows can walk on a clean and dry floor. The dairy farmer uses the E-link remote control to pre-programme the routing to be followed by the Discovery. Routings are flexible so that the dairy farmer has the option to ensure more intensive cleaning of some areas in the barn during certain hours of the day. The Discovery is battery-operated and after each cleaning it returns to the charging station, which is fitted at a convenient point in the cow housing. This charging station also functions as the starting point of each cleaning round.

A slide fitted underneath the Discovery pushes the manure through the openings of the slatted floor. The Discovery is driven and steered by two wheels.

The built-in ultrasound sensor ensures that the Discovery follows the walls at a pre-determined distance.

A special element of the design of the Discovery barn cleaner is the so-called ring at the front. This feature prevents the device from being blocked so that it cannot get stuck. In addition, the ring ensures proper following of walls as well as steering clear of obstacles, such as beams or the legs of cows and/or calves.

The Discovery mobile barn cleaner is suited for all level slatted floors. In addition, the Discovery can also be used to keep short (5 m length as a maximum) closed floors clean. The Discovery mobile barn cleaner has very compact dimensions as well as a particularly low height allowing it to pass easily underneath segregation gates.

Manure is pushed through the openings of the slatted floors.



An outstanding design element: the highly functional ring.



Summary of the major advantages of the Lely Discovery mobile barn cleaner

Intelligent and animal-friendly

You are the one who sets the routing to be followed by the Discovery mobile barn cleaner and you have the option to clean certain heavily used barn areas even more thoroughly. The large horizontal wheel ensures that the vehicle follows the walls and avoids obstacles, if any, such as beams or legs of cows and/or calves.

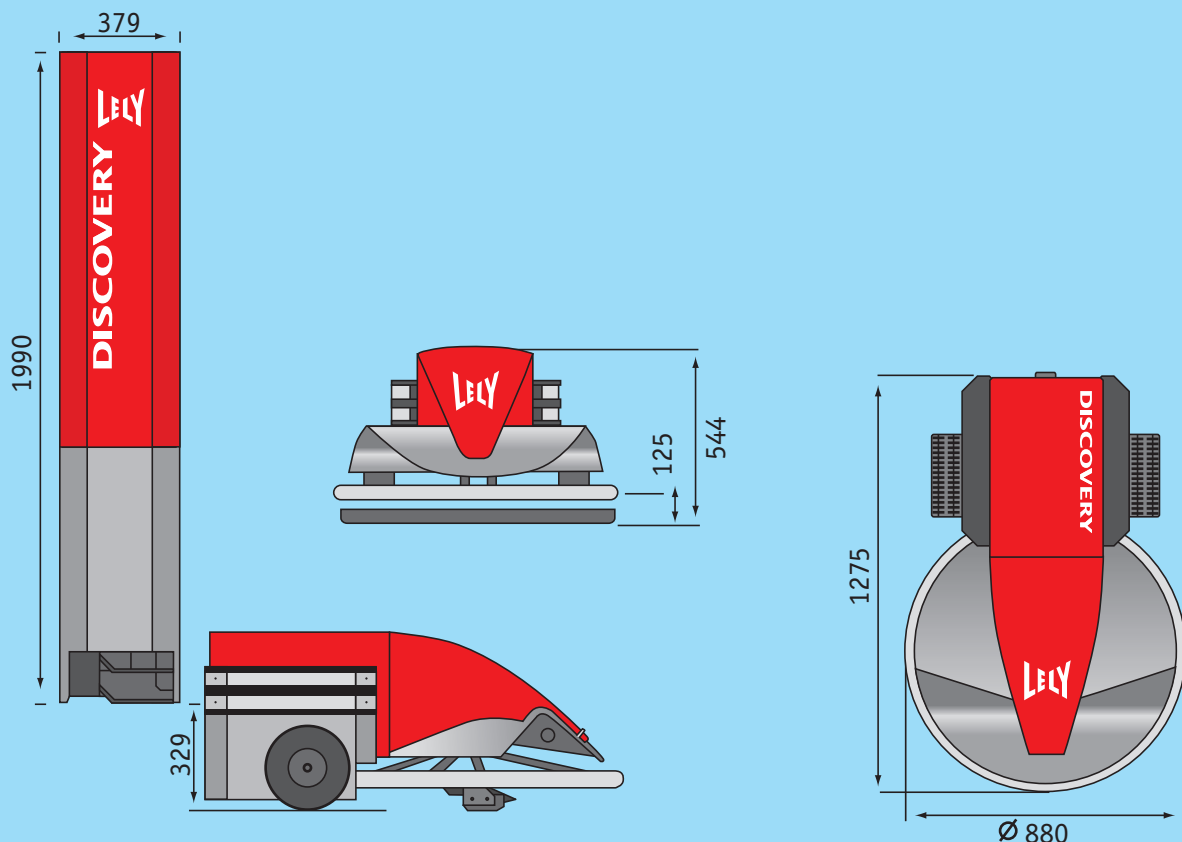
Easy to install and maintain

Setting up the charging station is all that is required to install the Discovery mobile barn cleaner. By means of the E-link remote control you simply set the routing to be followed by the Discovery in your cow housing. The Discovery keeps the walking passages free from obstacles such as slides, chains and discs. You can simply change the plastic sliding strip yourself.

Economically cost-effective

The Discovery mobile barn cleaner is the ultimate answer to contaminated slatted floors and passage ways in cow housings. Low operating costs and maintenance are a characteristic of all Lely products, which is of course also true for the Discovery mobile barn cleaner.

All in all: with the Discovery mobile barn cleaner Lely provides a flexible and competitive solution for keeping your cow housing clean – 24 hours a day / 7 days a week.





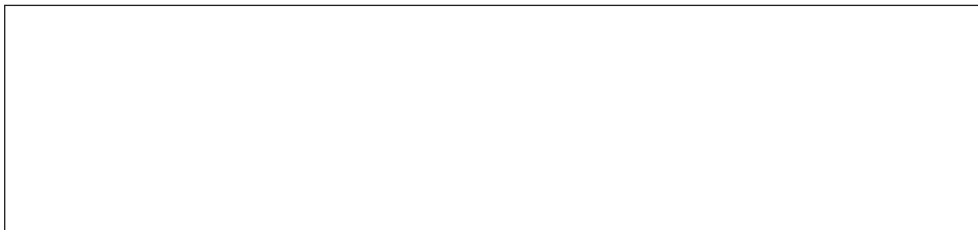


Live Life Lely

Since its establishment, Lely has always been committed to improving the quality of life of agricultural entrepreneurs as well as the future of the sector. In addition, the company is innovative in its products as well as its concepts for marketing and distribution.

- Lely is committed to helping farmers ahead of market developments
- Lely always supplies the most innovative products to farmers and contractors
- Lely provides customers with optimum customer service
- Everything Lely invents will always serve to make life easier for the benefit of both man and animal as well as providing joy to all our employees

In short: we at Lely do our work in order to serve farmers and to make their lives as enjoyable as possible. From grassland machinery to the automatic milking system, Lely thinks with the farmer and has offered him innovative solutions for the past 60 years.



Lely, Astronaut, Atlantis, Hibiscus, Lotus, Splendimo, Astri, Astrodata, Calm, Commodus, Compedes, Cosmix, Discovery, E-link, Fertiliner, Gravitor, Grazeway, Hubble, Lely Center, Lelywash, Luna, Nautilus, Shuttle, T4C, Viseo and Voyager are registered trademarks of the Lely Group. The right of exclusive use belongs to the companies of the Lely Group. All rights reserved. The information given in this publication is provided for information purposes only and does not constitute an offer for sale. Certain products may not be available in individual countries and products supplied may differ from those illustrated. No part of this publication may be copied or published by means of printing, photocopying, microfilm or any other process whatsoever without prior permission in writing by Lely Holding S.à r.l. Although the contents of this publication have been compiled with the greatest possible care, Lely cannot accept liability for any damage that might arise from errors or omissions in this publication.

LHQ110001.END